

闸 阀

Gate Valve



www.fcval.com

铁岭辅坤阀门有限公司

TIELING FLOW CONTROL VALVE CO., LTD

中国 · 辽宁

好阀门 辅坤造

低压大口径阀门生产基地



公司简介

铁岭辅坤阀门有限公司是原辽宁省铁岭阀门厂改制后的骨干企业之一。是中国最大的低压大口径阀门、闸门专业生产基地，生产阀门类产品已有70年历史，曾被国家命名为高新技术先进企业。

公司注册资金2000万元，公司现有员工180人，其中：高级技术职称2人；中级技术职称15人；管理人员8人，有近40%的员工具有大专以上学历。公司占地面积18558m²，建筑面积7800m²。拥有4米、2.5米、1.25米立车，T111镗床、TPX6111B/2卧式镗铣床、TPX6213落地镗铣床、吊车、叉车、Z3080×25、Z30100×31大型摇臂钻、剪板机、切割机、牛头刨、万能工具磨、卷板机等。机加设备80余台套，并拥有32/5T、20T、10T、5T吊车等。可生产灰铸铁、球墨铸铁、低合金铸铁阀门、钢闸门、清污机、各类风门、滤网及管道附件、阀门传动装置等产品。年生产能力（产值）5000万元。

公司主导产品有：蝶阀、闸阀、止回阀、排气阀、旋转滤网、网篦式清污机、拦污栅、钢闸门、冷、热风隔绝门、挡板门、可调缩孔、插板门等；适用介质有：清水、污水、海水、空气、高温炉气、煤气、蒸气及各种酸碱盐液体；适用温度：-40℃—600℃；适用压力为：0.01MPa—2.5Mpa；公称通径为DN50—3000mm；驱动方式：手动、电动、气动、液动、电液联动。根据用户要求，产品可按照中国GB、JB、国际标准ISO、德国DIN、英国BS、美国API、ANSI等标准设计制造。公司产品广泛应用于水电站、火电站、自来水厂（城市供水、引水）、污水处理厂、煤气、航空、有色冶金、石油化工、矿山、水利等行业。

公司产品被国内外众多重点工程项目采用，主要有：北京燕山石化、元宝山电厂、唐山三友热电有限责任公司、阜新发电有限公司、安徽平圩电厂、国电濮阳热电有限公司、吉林松原炼油厂、锦西石化公司、锦州发电厂、广东猎德污水厂等。公司具有进出口经营权，并有部分产品出口到加拿大，伊朗及中东地区。产品出口到美国、巴基斯坦、伊朗、伊拉克、新加坡、泰国、马来西亚、柬埔寨、叙利亚等国家和地区，优良的产品质量和完善的售后服务赢得外商和项目单位的信赖和好评。

公司热诚欢迎国内外广大用户到公司参观、考察和洽谈业务，我们将提供最佳的产品和最优质的服务。

本公司质量方针：以顾客为中心，永追卓越；坚持质量第一，信誉至上。



设计 开发 生产 安装 服务

Company Profile

Tieling Flow Control Valve Co., Ltd. Is one of the key enterprises after the former Tieling Valve Works was reformed. It is the largest low pressure big diameter valve, penstock manufacturing base. It has a history of more than 70 years, it is named as advanced new and high-tech enterprise.

The registered capital is 20 million. We have 180 staff which include 2 senior professional title technicians; 15 middle professional title technicians; 40% of the staff graduated from the college. Our company occupies an area of 18558 m² and a building area of 7800 m². We have 4M, 2.5M, 1.25M vertical lathes, T111 boring machine, TP × 6111B/2 horizontal boring and milling machine, TP × 6213 stand boring and milling machine, crane, fork truck, Z3080 × 25, Z30100 × 31 large radial drilling machine, plate shearing machine, cutting machine, planning machine, universal tool grinding machine, plate bending rolls. There are more than 80 machining equipments and cranes of 32/5 T, 20T and 5T. We can produce gray cast iron, ductile iron, low alloy iron valves, steel penstock, cleaning machine, different kind of wind gates, strainers, and pipe fittings and valve actuators. The annual capacity (production value) is RMB 50 million.

The main products: butterfly valve, gate valve, check valves, air release valve, rotating strainer, comb type cleaning machine, grating, steel penstock, cool and hot isolating gate, guarding gate, regulating shrinkage hole, inserting gate; the suitable medium: clean water, sewage water, sea water, air, high temperature stove air, gas, steam and different acid and alkali liquid; suitable temperature: -40°C to 600°C; suitable pressure: 0.01MPa~2.5MPa; Nominal diameter: DN50-DN3000, actuating methods: manual, motor, pneumatic, hydraulic, motor & hydraulic. According to the customer's requirements we can design and manufacture the products conforming to GB, JB, ISO, DIN, BS, API, ANSI. The products are widely used in water power plant, thermal power plant, water plant (city water supplying and distributing), sewage treatment plant, gas, airline, metallic, petroleum and chemical, mine, water power.

Our products have been applied in many projects such as: Beijingyanshang Petroleum & Chemical, Yuanbaoshan Power Plant, Tangshansanyou Thermal Power plant Co., Ltd., Fuxin Power Plant, Anhuipingwei Power Plant, Guodian Puyang Thermal Power Plant Co., Ltd., Jilin Songyuan Oil Refining Plant, Jinxi Petroleum & Chemical Co., Ltd., Jinzhou Power Plant, Guangdong Liede Water Plant. Our company has the right of importing & exporting, some of the products have been exported to USA, Canada, England, Turkey, Spain, Pakistan, Iran, Iraq, Singapore, Thailand, Malaysia, Cambodia, Syria, South Africa, Nigeria, Egypt, Tanzania and other countries.

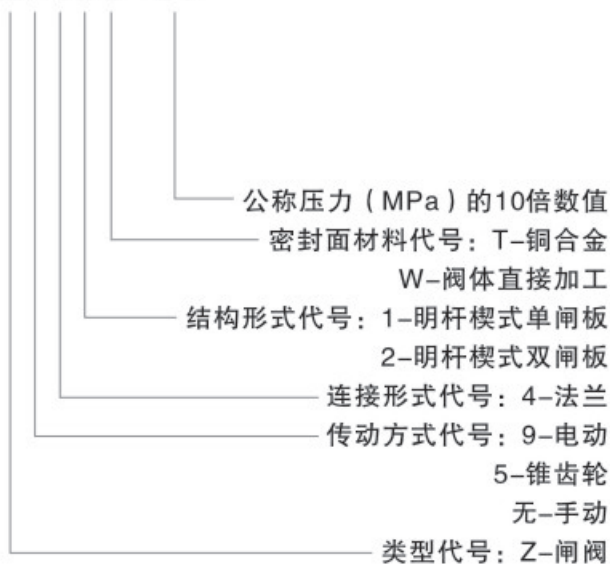
We have gained the belief and good evaluation from the foreign and domestic customers for our Good product quality and perfect after sale service.

Sincerely welcome the domestic and foreign clients to our company for visiting and negotiation. We will provide you with best products and perfect service.

Our quality policy: Customer is the center, pursuit excellence; quality first, credibility supreme.

型号说明示例

Z941T-10



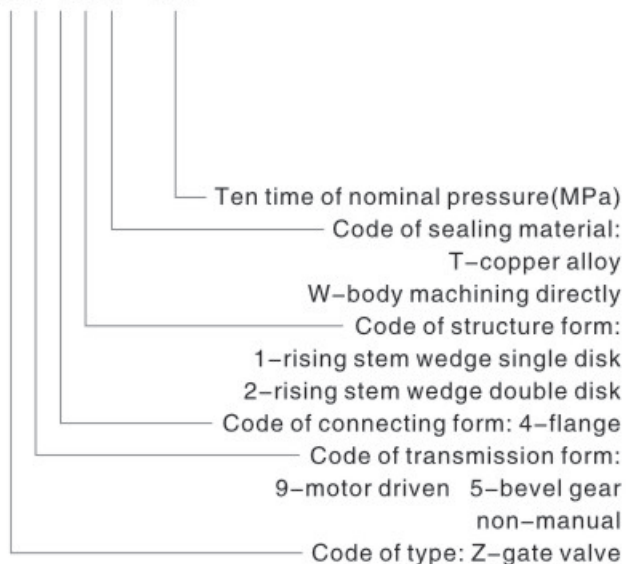
41
Z 541 T W-10
941

42
Z 542 W-1
942



Type explain by examples

Z941T-10



明杆楔式单(双)闸板闸阀

Rising Stem Wedge Single(Double) Disk Gate Valve



用途

本闸阀安装在管路中，作为闭路设备，不允许作调节流量和排空使用。

Application

This valve is installed in pipeline as a closing device and can not be used to regulate flow and exhaust to the open.

性能规范

型号		Z ⁴¹ ₅₄₁ T-10、16		Z41W-10、16	
公称压力(MPa)		1.0	1.6	1.0	1.6
试验压力(MPa)	壳体	1.5	2.4	1.5	2.4
	密封	1.1	1.76	1.1	1.76
工作压力(MPa)		1.0	1.6	1.0	1.6
适用介质		蒸气、水		油品	
适用温度℃		≤100		≤100	

Specification

Type		Z ⁴¹ ₅₄₁ T-10、16		Z41W-10、16	
Nominal pressure (MPa)		1.0	1.6	1.0	1.6
Testing pressure (MPa)	Shell	1.5	2.4	1.5	2.4
	Seal	1.1	1.76	1.1	1.76
Working pressure (MPa)		1.0	1.6	1.0	1.6
Suitable medium		Vapour, water		Oil	
Suitable temperature℃		≤100		≤100	

执行标准

产品标准：GB/T 12232

法兰尺寸：GB/T 17241

压力试验：GB/T 13927

Standard

Product Standard: GB/T 12232

Size of flange: GB/T 17241

Pressure test: GB/T 13927

主要零件材料

零件名称	材料
阀体、闸板、阀盖、手轮、传动支座	铸钢、铸铁
密封圈	铸铜、铸铁(42W型)、不锈钢
阀杆	不锈钢
填料	橡胶、石棉(42W型)

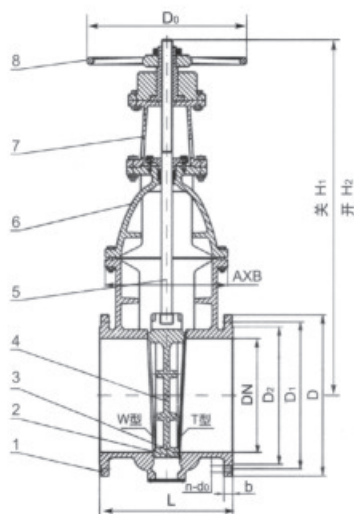
Materials of the main parts

Part name	Material
Body, disk, bonnet, hand wheel, transmission-support	Cast iron, Cast steel
Sealing ring	Cast copper, cast iron(42w type), Stainless steel
Stem	Stainless Steel
Packing	Rubber, Asbestos(42w type)

Z41^T_W - 10²/₁₆

主要外形尺寸及质量

Main outform dimensions and masses



- | | |
|---------|---------------------|
| 1 阀体 | 1 Body |
| 2 阀体密封圈 | 2 Body sealing ring |
| 3 闸板密封圈 | 3 Disk sealing ring |
| 4 闸板 | 4 Disk |
| 5 阀杆 | 5 Stem |
| 6 阀盖 | 6 Bonnet |
| 7 立柱 | 7 Support |
| 8 手轮 | 8 Hand wheel |

注：DN700设有旁通阀、尺寸与Z941T-10 DN700相同

DN (mm)	PN (MPa)	L	D	D ₁	D ₂	b	A×B	H ₁	H ₂	D ₀	n-d ₀	质量 mass(Kg)
50	1.0	180	165	125	99	20	170 × 150	289	346	180	4-φ18	17
	1.6	180	165	125	99	20	170 × 150	289	346	180	4-φ18	20
65	1.0	195	185	145	118	20	187 × 162	333	402	180	4-φ18	22
	1.6	195	185	145	118	20	187 × 162	333	402	180	4-φ18	26
80	1.0	210	200	160	132	22	207 × 172	377	465	200	4-φ18	29
	1.6	210	200	160	132	22	207 × 172	377	465	200	4-φ18	35
100	1.0	230	220	180	155	22	231 × 186	435	547	200	8-φ18	37
	1.6	230	220	180	155	22	231 × 186	435	547	200	8-φ18	44
125	1.0	255	250	210	185	24	263 × 208	530	667	240	8-φ18	54
	1.6	255	250	210	185	26	263 × 208	530	667	240	8-φ18	65
150	1.0	280	285	240	210	24	310 × 240	604	762	240	8-φ23	69
	1.6	280	285	240	210	26	310 × 240	604	762	240	8-φ23	82
200	1.0	330	340	295	265	26	368 × 278	772	990	320	8-φ23	133
	1.6	330	340	295	265	30	368 × 278	772	990	320	12-φ23	160
250	1.0	380	390	350	320	28	423 × 308	900	1180	320	12-φ23	182
	1.6	380	405	355	320	32	423 × 308	900	1180	320	12-φ28	220
300	1.0	420	440	400	368	28	488 × 348	1045	1357	400	12-φ23	260
	1.6	420	460	410	370	32	488 × 348	1045	1357	400	12-φ28	312
350	1.0	450	500	460	428	30	549 × 399	1224	1591	450	16-φ23	365
	1.6	450	520	470	429	36	549 × 399	1224	1591	450	16-φ28	435
400	1.0	480	565	515	482	32	616 × 441	1462	1875	640	16-φ25	541
	1.6	480	580	525	480	28	616 × 441	1462	1875	640	16-φ31	650
450	1.0	510	610	565	532	32	685 × 500	1548	2110	640	20-φ25	622
	1.6	510	640	585	548	40	685 × 500	1548	2110	640	20-φ31	746
500	1.0	540	670	620	585	34	780 × 360	1966	2481	720	20-φ26	676
	1.6	540	715	650	609	45	780 × 360	1966	2481	720	20-φ34	810
600	1.0	600	780	725	685	36	900 × 451	2257	2870	720	20-φ30	1035
	1.6	600	840	770	720	48	900 × 451	2257	2870	720	20-φ30	1200
700	1.0	660	895	840	800	38	1060 × 525	2468	3180	900	24-φ30	1652
	1.6	660	910	840	790	54	1060 × 525	2468	3180	900	24-φ37	1980

注：联接法兰可执行美标、德标、日标及其它标准

明杆楔式单闸板闸阀

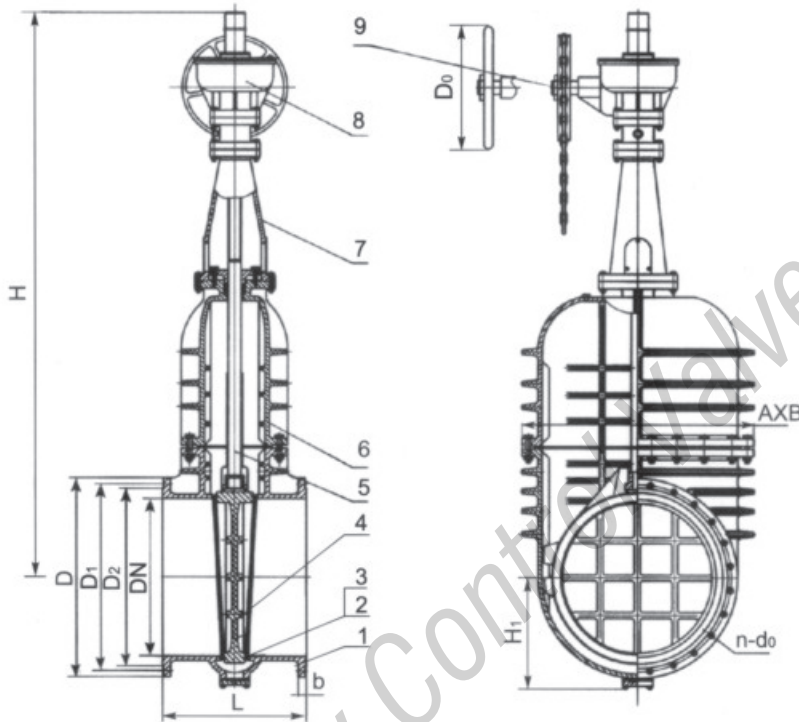
Rising Stem Wedge Single Disk Gate Valve



Z541T-10

主要外形尺寸及质量

Main outform dimensions and masses



- 1 阀体
- 2 阀体密封圈
- 3 闸板密封圈
- 4 闸板
- 5 阀杆
- 6 阀盖
- 7 立柱
- 8 传动装置
- 9 链轮

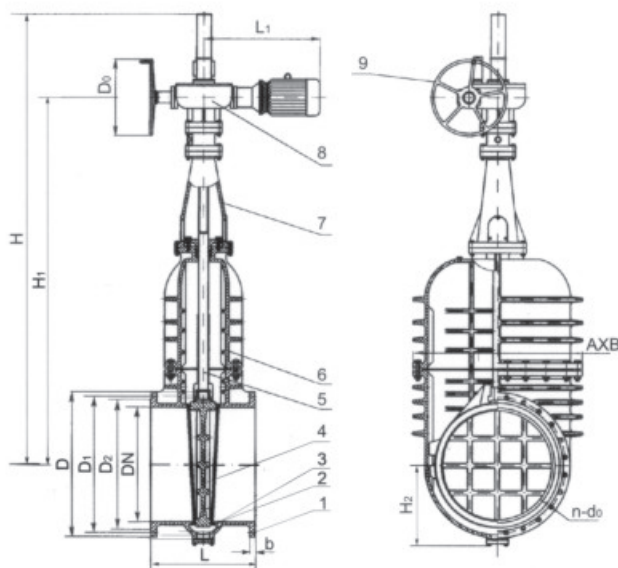
- 1 Body
- 2 Body sealing ring
- 3 Disk sealing ring
- 4 Disk
- 5 Stem
- 6 Bonnet
- 7 Support
- 8 Actuator
- 9 Chain wheel

DN (mm)	L	D	D ₁	D ₂	b	A × B	H	H ₁	D ₀	dn	n-d ₀	质量 mass(Kg)
700	660	895	840	800	38	1060 × 525	3258	485	640	100	24-φ30	1620
800	720	1010	950	905	40	1180 × 535	3457	545	640	100	24-φ34	2263
900	780	1110	1050	1005	42	1300 × 610	3870	640	720	100	28-φ34	3060

Z941T - $\frac{10}{16}$

主要外形尺寸及质量

Main outform dimensions and masses



- | | |
|---------|---------------------|
| 1 阀体 | 1 Body |
| 2 阀体密封圈 | 2 Body sealing ring |
| 3 闸板密封圈 | 3 Disk sealing ring |
| 4 闸板 | 4 Disk |
| 5 阀杆 | 5 Stem |
| 6 阀盖 | 6 Bonnet |
| 7 立柱 | 7 Support |
| 8 手轮 | 8 Hand wheel |

DN (mm)	PN (MPa)	L	D	D ₁	D ₂	b	A×B	H	H ₁	H ₂	L ₁	D ₀	dn	n-d ₀	质量 mass(Kg)
80	1.0	210	195	160	135	22	207 × 172	730	480	-	542	250	-	4-φ18	97
	1.6	210	200	160	132	22	207 × 172	730	480	-	542	250	-	8-φ19	116
100	1.0	230	215	180	155	22	231 × 186	802	541	-	542	250	-	8-φ18	108
	1.6	230	220	180	155	24	231 × 186	802	541	-	542	250	-	8-φ19	130
125	1.0	255	245	210	185	24	263 × 208	917	656	-	542	250	-	8-φ18	152
	1.6	255	250	210	185	26	263 × 208	917	656	-	542	250	-	8-φ19	180
150	1.0	280	280	240	210	24	310 × 240	1029	772	-	512	250	-	8-φ23	165
	1.6	280	285	240	210	26	310 × 240	1029	772	-	512	250	-	8-φ23	198
200	1.0	330	335	295	265	26	268 × 278	1131	870	-	542	250	-	8-φ23	209
	1.6	330	340	295	265	30	268 × 278	1131	870	-	542	250	-	12-φ23	250
250	1.0	380	390	350	320	28	423 × 308	1363	1085	-	627	320	-	12-φ23	325
	1.6	380	405	355	320	32	423 × 308	1363	1085	-	627	320	-	12-φ28	390
300	1.0	420	440	400	368	28	488 × 348	1488	1160	-	627	320	-	12-φ23	390
	1.6	420	460	410	370	32	488 × 348	1488	1160	-	627	320	-	12-φ28	465
350	1.0	450	500	460	428	30	549 × 399	1648	1345	-	647	320	-	16-φ23	491
	1.6	450	520	470	428	36	549 × 399	1648	1345	-	647	320	-	16-φ28	590
400	1.0	480	565	515	482	32	616 × 441	2020	1623	-	647	320	-	16-φ25	621
	1.6	480	580	525	482	38	616 × 441	2020	1623	-	647	320	-	16-φ31	745
450	1.0	510	610	565	532	32	685 × 500	2105	1708	-	647	320	-	20-φ25	720
	1.6	510	640	585	548	40	685 × 500	2105	1708	-	647	320	-	20-φ31	860
500	1.0	540	670	620	585	34	780 × 390	2390	1993	380	647	320	-	20-φ25	856
	1.6	540	715	650	609	45	780 × 390	2390	1993	380	647	320	-	20-φ34	1000
600	1.0	600	780	725	685	36	900 × 451	2796	2399	430	647	320	-	20-φ30	1131
	1.6	600	840	770	720	48	900 × 451	2796	2399	430	647	320	-	20-φ37	1350
700	1.0	660	895	840	800	38	1060 × 525	3108	2523	485	758	400	-	24-φ30	1848
	1.6	660	910	840	794	54	1060 × 525	3108	2523	485	758	400	200	24-φ37	2200
800	-	720	1010	950	905	40	1180 × 535	3407	2777	545	758	400	200	24-φ34	2613
900	-	780	1110	1050	1005	42	1300 × 610	3720	3089	640	905	500	200	28-φ34	3270
1000	-	811	1230	1160	1110	50	1400 × 600	4212	3400	660	1095	500	200	28-φ36	4068
1200	-	960	1455	1380	1330	45	1620 × 800	4873	3764	800	1095	500	200	32-φ39	5410

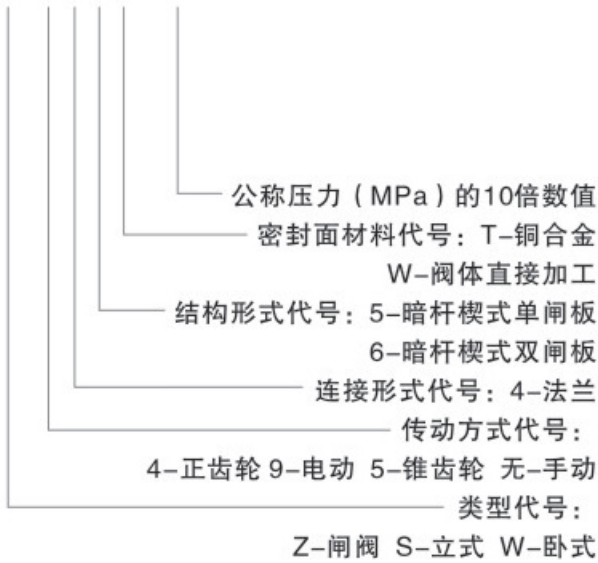
暗杆楔式单(双)闸板闸阀

Non Rising Stem Wedge Single(Double) Disk Gate Valve



型号说明示例

SZ945T-6



Z⁴⁵₄₄₅ T^{2.5}₅₄₅ W¹⁶₉₄₅

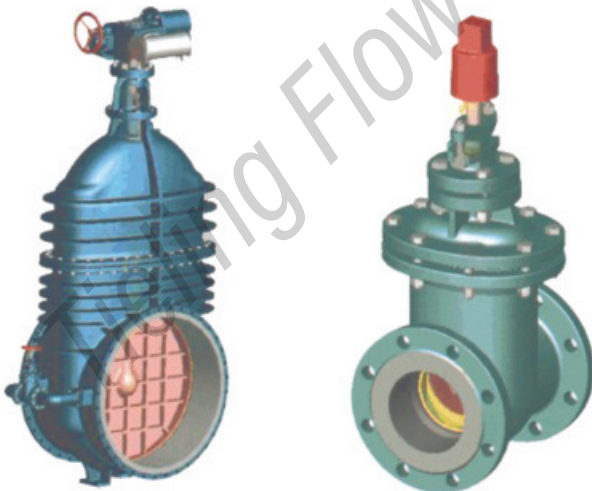
SZ⁴⁵₄₄₅ T⁶₉₄₅ -¹⁰₁₆

Z946T-2.5

WZ545T -⁶₁₆

Type explain by examples

SZ945T-6



Ten time of nominal pressure(MPa)
 Code of sealing material:
 T-copper alloy
 W-body machining directly
 Code of structure form:
 5-non rising stem wedge single disk
 6-non rising stem wedge double disk
 Code of connecting form: 4-flange
 Code of transmission form:
 9-motor driven 5-bevel gear
 4-spur gear non-manual
 Code of type: Z-gate valve
 S-vertical W-horizontal

用途

本闸阀安装在管路中，作为闭路设备，不允许作调节流量和排空使用。

Application

This valve is installed in pipeline as a closing device and can not be used to regulate flow and exhaust to the open.

性能规范

公称压力(MPa) Nominal pressure		0.25	0.6	1.0	1.6
试验压力(MPa) Testing pressure	壳体 Shell	0.4	0.9	1.5	2.4
	密封 Seal	0.275	0.66	1.1	1.76
工作压力(MPa) Working pressure		0.25	0.6	1.0	1.6
适用温度℃ Suitable medium		≤100			
适用介质℃ Suitable temperature		T- 水 Water、 W- 油品 Oil			

Specification

执行标准

产品标准：GB/T 12232

法兰尺寸：GB/T 17241

压力试验：GB/T 13927

Standard

Product Standard: GB/T 12232

Size of flange: GB/T 17241

Pressure test: GB/T 13927

主要零件材料

零件名称	材料
阀体、闸板、阀盖、手轮、传动支座、填料压盖	铸铁、铸钢
密封圈	铸铜
阀杆	不锈钢
填料	丁腈耐油橡胶

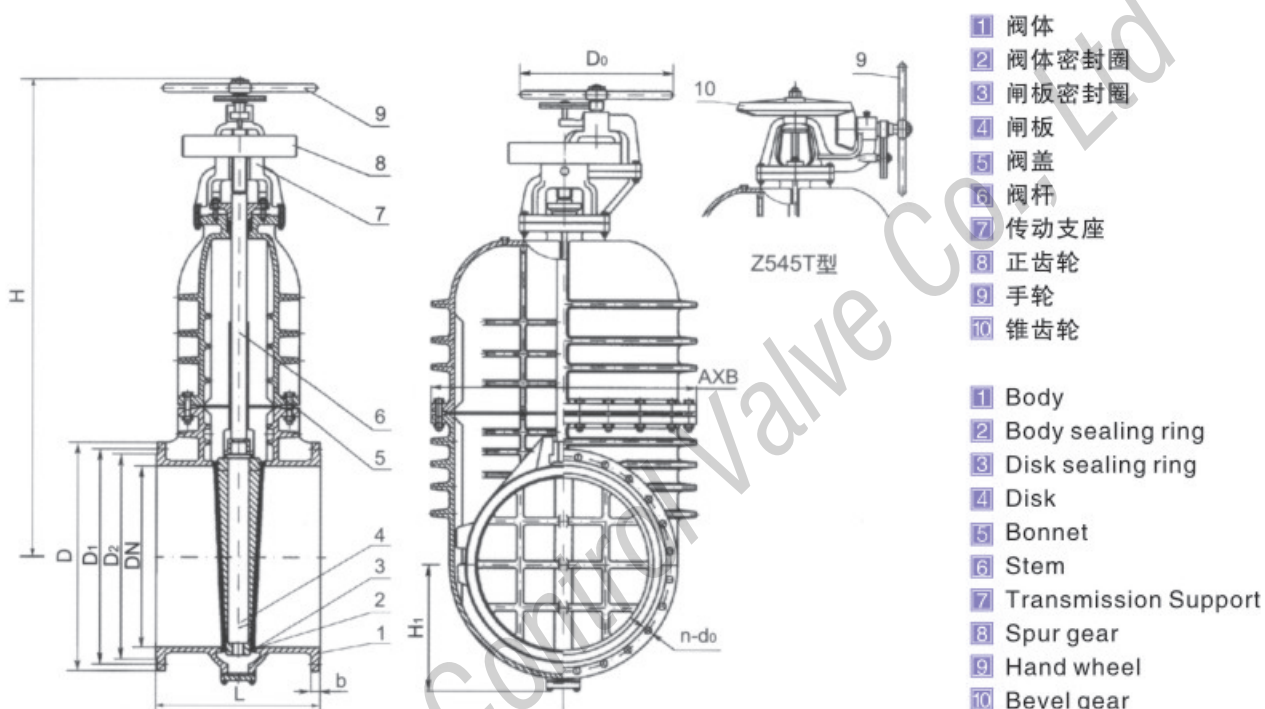
Materials of the main parts

Part name	Material
Body, Bisk, Bonnet, Hand wheel, Gland Transmission-support	Cast iron, Cast steel
Sealing ring	Cast copper
Stem	Stainless Steel
Packing	Rubber, Asbestos(42w type)

Z₅⁴45T-10

主要外形尺寸及质量

Main outform dimensions and masses



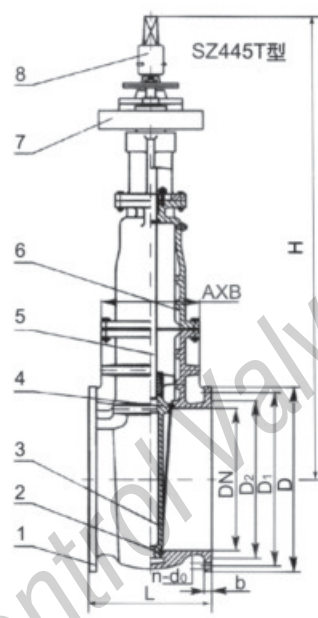
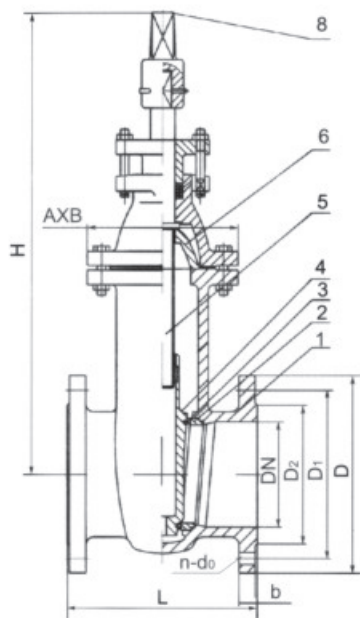
型号 Type	DN (mm)	L	D	D ₁	D ₂	b	A × B	H	H ₁	D ₀	n-d ₀	质量 mass(Kg)
Z445T-10	800	720	1010	950	905	40	1180 × 535	2197	545	640	24-φ34	2336
	900	780	1110	1050	1005	42	1300 × 610	2140	640	900	28-φ34	2786
	1000	840	1220	1160	1115	46	1400 × 68	2282	650	900	28-φ34	3265
	1200	960	1455	1380	1330	56	1620 × 800	2669	800	1000	32-φ39	4640
Z545T-10	600	600	780	725	685	36	900 × 451	1648	430	640	20-φ30	1011
	700	660	895	840	800	38	1060 × 525	1780	485	640	24-φ30	1616
	800	720	1010	950	905	40	1180 × 535	1948	545	640	24-φ34	2090
	900	780	1110	1050	1005	42	1300 × 610	2375	640	900	28-φ34	2948
	1000	840	1220	1160	1115	46	1400 × 680	2475	650	804	28-φ34	3419
Z545T-2.5	1000	550	1175	1120	1080	36	1470 × 630	2623	665	520	28-φ30	3136

SZ45T-10

SZ445T-6

主要外形尺寸及质量

Main outform dimensions and masses



- 1 阀体
- 2 阀体密封圈
- 3 闸板密封圈
- 4 闸板
- 5 阀杆
- 6 阀盖
- 7 正齿轮
- 8 方头

- 1 Body
- 2 Body sealing ring
- 3 Disk sealing ring
- 4 Disk
- 5 Stem
- 6 Bonnet
- 7 Spur gear
- 8 Square head

型号 Type	DN (mm)	L	D	D ₁	D ₂	B	A×B	H	n-d ₀	质量 mass(Kg)
SZ45T-10	75	240	211	168	125	24	226 × 182	442	4-φ18	39
	100	250	238	195	152	25	256 × 200	520	4-φ18	52
	150	280	290	247	204	27	320 × 222	656	6-φ18	87
	200	300	342	299	256	27	392 × 260	749	8-φ18	128
	250	380	410	360	308	29	450 × 272	885	8-φ21	184
	300	400	462	414	362	31	512 × 288	969	10-φ21	267
	350	430	518	472	414	32	582 × 320	1050	10-φ24	340
	400	470	570	524	465	32	621 × 340	1144	12-φ25	426
	450	500	638	585	515	34	702 × 376	1244	12-φ27	608
	500	530	690	639	565	34	750 × 386	1342	12-φ27	712
600	560	794	743	675	36	881 × 437	1516	16-φ27	996	
SZ445T-6	700	610	910	854	775	38	1024 × 486	2338	16-φ30	1784

注：广泛应用于地下管网

暗杆楔式单闸板闸阀

Non Rising Stem Wedge Single Disk Gate Valve

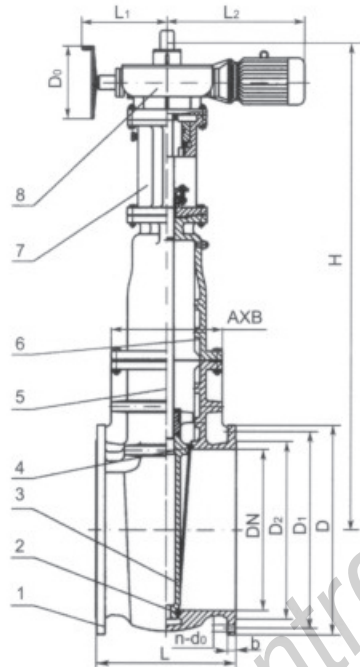


辅坤阀门
FLOW CONTROL VALVE

SZ945T -10

主要外形尺寸及质量

Main outform dimensions and masses



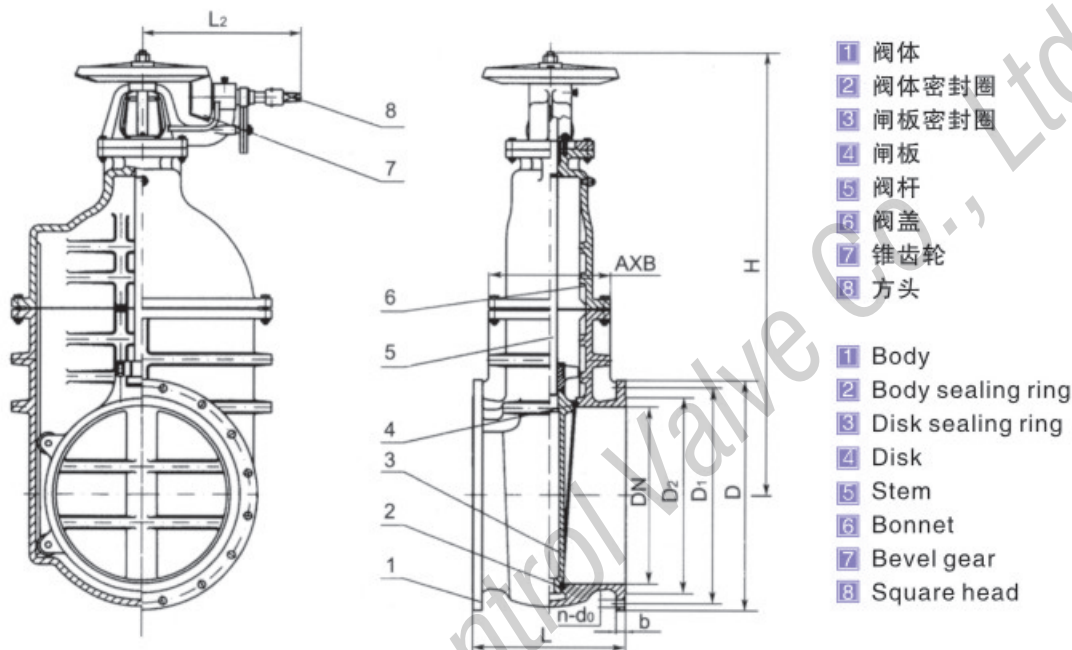
- 1 阀体
 - 2 阀体密封圈
 - 3 闸板密封圈
 - 4 闸板
 - 5 阀杆
 - 6 阀盖
 - 7 传动支座
 - 8 电动装置
- 1 Body
 - 2 Body sealing ring
 - 3 Disk sealing ring
 - 4 Disk
 - 5 Stem
 - 6 Bonnet
 - 7 Transmission Support
 - 8 Motor Actuator

DN (mm)	L	D	D ₁	D ₂	b	A × B	L ₁	L ₂	H	D ₀	n-d ₀	质量 mass(Kg)
100	250	238	195	152	25	256 × 200	284	445	800	160	4-φ18	116
150	280	290	247	204	27	320 × 222	336	512	972	250	6-φ18	163
200	300	342	299	256	27	392 × 260	336	512	1083	250	8-φ18	207
250	380	410	360	308	29	450 × 272	336	512	1137	250	8-φ21	251
300	400	462	414	362	31	512 × 288	394	647	1351	320	10-φ21	273
350	430	518	472	414	32	582 × 320	394	647	1398	320	10-φ24	423
400	470	570	524	465	32	621 × 340	394	647	1478	320	12-φ25	569
450	500	638	585	515	34	702 × 376	394	647	1578	320	12-φ27	752
500	530	690	639	565	34	750 × 386	394	647	1712	320	12-φ27	854
600	560	794	743	675	36	881 × 437	394	647	1851	320	16-φ27	1124

WZ545T - $\frac{6}{16}$

主要外形尺寸及质量

Main outform dimensions and masses



型号 Type	DN (mm)	L	D	D ₁	D ₂	b	A×B	H	L ₁	dn	H ₁	n-d ₀	质量 mass(Kg)
Z445T-6	600	560	794	743	675	36	881 × 437	1581	576	-	-	16-φ27	1166
	700	610	910	854	775	38	1024 × 486	1746	576	-	-	16-φ30	1659
	800	690	1016	960	878	40	1138 × 526	1979	666	-	-	20-φ30	2226
	900	740	1134	1073	980	42	1262 × 566	2154	666	-	-	20-φ34	2836
	1000	770	1240	1179	1075	42	1376 × 560	2422	821	100	520	24-φ34	3822
	1200	820	1448	1387	1284	45	1640 × 680	2748	821	100	520	28-φ34	6485
Z545T-10	600	560	780	725	685	36	881 × 437	1581	576	-	-	20-φ30	1178
	700	610	895	840	800	40	1024 × 486	1746	598	-	-	24-φ30	1660
	800	690	1034	960	886	49	1138 × 526	1979	602	-	-	20-φ33	2252
	900	740	1115	1050	1005	42	1262 × 566	2154	666	-	-	28-φ33	2836
	1000	770	1240	1179	1075	50	1400 × 590	2422	821	100	520	24-φ34	4142
Z545T-16	700	610	910	840	795	54	1024 × 486	1746	598	-	-	24-φ36	1659
	800	660	1025	950	900	58	1138 × 526	1979	602	-	-	24-φ39	2252
	900	711	1125	1050	1000	62	1262 × 566	2302	602	-	-	28-φ36	3049
	1000	811	1255	1170	1115	66	1400 × 690	2422	713	100	520	28-φ42	4082

暗杆楔式单闸板闸阀

Non Rising Stem Wedge Single Disk Gate Valve

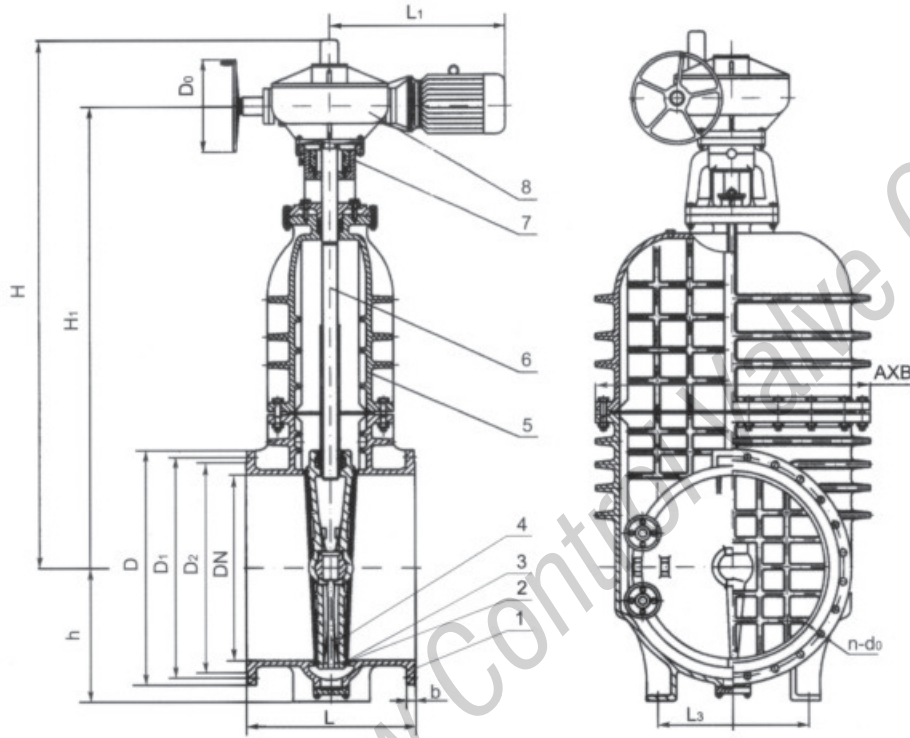


辅坤阀门
FLOW CONTROL VALVE

Z946T -2.5

主要外形尺寸及质量

Main outform dimensions and masses



- 1 阀体
- 2 阀体密封圈
- 3 闸板密封圈
- 4 闸板
- 5 阀盖
- 6 阀杆
- 7 传动支座
- 8 电动装置

- 1 Body
- 2 Body sealing ring
- 3 Disk sealing ring
- 4 Disk
- 5 Bonnet
- 6 Stem
- 7 Transmission Support
- 8 Motor Actuator

DN (mm)	L	D	D ₁	D ₂	b	A × B	H	H ₁	L ₁	D ₀	dn	h	L ₃	C ₁	d ₁	n-d ₀	质量 mass (Kg)
1200	700	1400	1340	1295	40	1750 × 762	2895	2611	905	500		825	620	200	30	32-φ34	5738
1400	900	1620	1560	1510	44	1960 × 940	3311	2986	1058	500	100	925	720	200	30	36-φ34	7252
1600	1000	1820	1760	1710	48	2220 × 1040	3535	3203	1058	500	100	1040	800	300	34	40-φ34	9900
1800	1500	2045	1970	1910	50	2494 × 1364	3952	3630	1058	500	150	1150	900	330	34	44-φ41	14225

结构优势和特点

- 1、闸板、阀座密封面用铁基合金堆焊或司太立 (stellite) 钴基硬质合金堆焊而成，耐磨、耐高温、耐腐蚀、抗擦伤性能好，使用寿命长。
- 2、采用楔式弹性闸板结构，中大口径设置滚动轴承，开关灵活，启闭轻松。
- 3、阀杆经调质及表面氮化处理，有良好的抗腐蚀性、抗擦伤性和耐磨性。

Structural advantages and characteristics

1. Wedge and seat sealing faces are surfacing welded with iron base alloy or stellite cobalt base hard alloy.
2. Adopt wedge type elastic gate structure, large diameter set rolling bearing, flexible switch, easy to open and close.
3. Valve stem by conditioning and surface nitriding treatment, has good corrosion resistance, abrasion resistance and wear resistance.

标准与规范 Standards and specifications

设计与制造 Design and Manufacture	结构长度 Structure length	连接法兰 Connecting flange	压力-温度等级 Pressure - temperature rating	试验与检验 Test and inspection
Gb12234	Gb12221	Gb9131 HG20604	JB/T79.1-2-94 GB9113 HG20592-20635	JB/T9092-1999 GB13927-92

主要零件材料 Materials for main parts

零件名称 Name of parts	材料牌号 Material mark					
	WCB	ZGCr5Mo	CF8	CF8M ZG1Cr18Ni9Ti	CF3	CF3M
阀体 Body	WCB	ZGCr5Mo	CF8	CF8M ZG1Cr18Ni9Ti	CF3	CF3M
阀盖 Bonnet	WCB	12CrMoV ZGCr5Mo	304CF8	316 CF8M	CF3	316 CF3M
支架 Yoke	WCB	WCB	CF8	CF8M	CF3	CF3M
闸板 Wedge	WCB	ZGCr5Mo	CF8	CF8M	CF3	CF3M
阀杆 Stem	2Cr13	25Cr2MoV	1Cr18Ni9Ti			
阀座 Seat	25	304	304	304	304	304
垫片、垫环、密封环 Gasket, gasket ring, seal ring	包覆垫片、304、增强柔性石墨 Jacketed gasket, 304, Reinforced flexible graphite					
填料 Stem seal	增强柔性石墨 Reinforced flexible graphite					
阀杆螺母 Stem nut	ZCuAL10Fe3					

结构优势和特点 Structural advantages and characteristics

配管法兰 Piping flange	公称压力 Nominal pressure PN (MPa)	法兰密封面 Flange sealing surface	产品型号 Product Model				
			Z40H-16C	Z40W-16P	Z40Y-16P	Z40Y-16R	Z40Y-16I
JB/T74 GB9113 HG20592- 20635	1.6	凸面 Raised face	Z40H-25	Z40W-25P	Z40Y-25P	Z40Y-25R	Z40Y-25I
	2.5		Z40H-40	Z40W-40P	Z40Y-40P	Z40Y-40R	Z40Y-40I
	4.0	凹凸面 Male and female face	Z40H-64	Z40W-64P	Z40Y-64P	Z40Y-64R	Z40Y-64I
	6.4						
锥齿轮传动闸阀 Bevel gear drive gate valve			在型号“Z”后插入“5”，示例Z540H-25 Insert "5" after model "Z", example z540h-25				
电动闸阀 Electric Gate Valve			在型号“Z”后插入“9”，示例Z940H-40 Insert "9" after model "Z", example z940h-40				
气动闸阀 Pneumatic gate valve			在型号“Z”后插入“6”，示例Z640H-40 Insert "6" after model "Z", example z640h-40				

注：如法兰密封面型式与表中规定不同时，用户应在合同中注明。

Note: if the type of flange sealing surface is different from that stipulated in the table, the user should indicate it in the contract.

用途

中压法兰连接的闸阀适用于公称压力 PN1.6~6.4MPa，工作温度 -29~600℃ 的石油、化工、化肥、电力行业等各种工况的管路上，切断或接通管路介质。适用介质为：水、油品、蒸汽、酸性介质等。操作方式有：手动、齿轮转动、电动、气动等。

Application

Medium pressure flange connection gate valve is suitable for nominal pressure PN1.6~6.4MPa, Operating temperature -29~600℃, oil, chemical, fertilizer, power industry and other working conditions of the pipeline, cut off or connect the pipeline media. Applicable medium: water, oil, steam, acid medium, etc. Operation mode: manual, gear rotation, electric, pneumatic, etc.

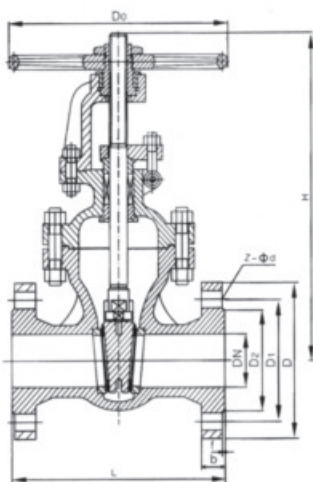
性能规范

公称压力 Nominal pressure PN(MPa)	试验压力 (MPa) Test pressure		适用温度 Applicable temperature (°C)			适用介质 Applicable medium
	强度试验 Strength test	密封试验 Seal test	WCB	Cr5Mo	1Cr18Ni9Ti	
1.6	2.4	1.8	≤425	≤540	≤600	水、油品、蒸汽、 酸性介质 Water, oil, steam, acid media
2.5	3.8	2.8				
4.0	6.0	4.4				
6.4	9.6	7.1				

Z41H-16/25 C、I、P、R

主要外形尺寸及质量

Main outform dimensions and masses



公称压力 PN(MPa)	公称口径 DN(mm)	尺寸(mm)								重量 (kg)
		L	D	D1	D2	b-f	z-φd	H	Do	
1.6	15	130	95	65	45	16-2	4-14	170	120	5
	20	150	105	75	55	16-2	4-14	190	140	6.5
	25	160	115	85	65	16-2	4-14	205	160	9
	32	180	135	100	78	18-2	4-18	270	180	12
	40	200	145	110	85	18-3	4-18	310	200	26.5
	50	250	160	125	100	18-3	4-18	358	240	29
	65	265	180	145	120	18-3	4-18	373	240	33
	80	280	195	160	135	20-3	8-18	435	280	45
	100	300	215	180	155	20-3	8-18	500	300	63
	125	325	245	210	185	22-3	8-18	614	320	108
	150	350	280	240	210	24-3	8-23	674	360	134
	200	400	335	295	265	26-3	12-23	818	400	192
	250	450	405	355	320	30-3	12-25	969	450	273
	300	500	460	410	375	30-4	12-25	1145	560	379
	350	550	520	470	435	34-4	16-25	1280	640	590
	400	600	580	525	485	36-4	16-30	1452	640	850
450	650	640	585	545	40-4	20-30	1541	720	907	
500	700	705	650	608	44-4	20-34	1676	720	958	
600	800	840	770	718	48-5	20-41	1874	800	1112	
2.5	15	130	95	65	45	16-2	4-14	170	-	5.5
	20	150	105	75	55	16-2	4-14	190	-	7
	25	160	115	85	65	16-2	4-14	205	-	11
	32	180	135	100	78	18-2	4-18	270	-	14
	40	200	145	110	85	18-3	4-18	310	-	30
	50	250	160	125	100	20-3	4-18	358	-	34
	65	265	180	145	120	22-3	8-18	373	-	36
	80	280	195	160	135	22-3	8-18	435	-	50
	100	300	230	190	160	24-3	8-23	500	-	69
	125	325	270	220	188	28-3	8-25	614	-	116
	150	350	300	250	218	30-3	8-25	674	-	141
	200	400	360	310	278	34-3	12-25	818	-	192
	250	450	425	370	332	36-3	12-30	969	-	207
	300	500	485	430	390	40-4	16-30	1145	-	400
	350	550	550	490	448	44-4	16-34	1280	-	631
	400	600	610	550	505	48-4	16-34	1452	-	900
450	650	660	600	555	50-4	20-34	1541	-	1013	
500	700	730	660	610	52-4	20-41	1676	-	1166	
600	800	840	770	718	56-5	20-41	1874	-	1258	

铸钢闸阀 中压法兰连接手动钢制闸阀

Cast steel gate valves
Medium pressure flange for manual Caststeel gate valve

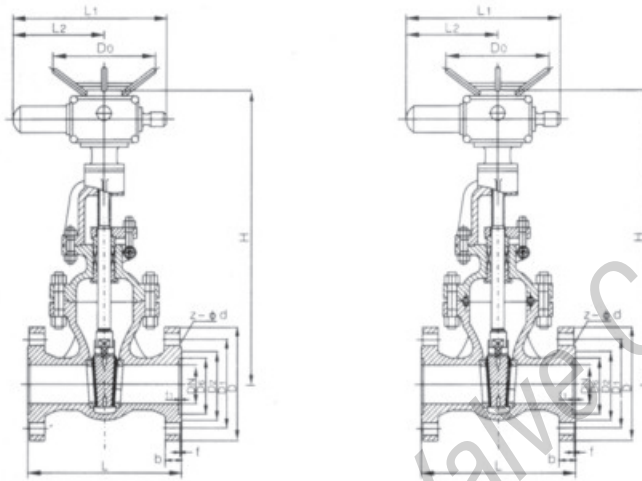


辅坤阀门
FLOW CONTROL VALVE

Z41H-40 I、P、R

主要外形尺寸及质量

Main outform dimensions and masses



公称压力 PN(MPa)	公称通径 DN(mm)	尺寸(mm)										重量(kg)
		L	D	D1	D2	D6	b-f	f1	z-φd	H	Do	
4.0	15	130	95	65	45	40	16-2	4	4-14	135	120	6
	20	150	105	75	55	51	16-2	4	4-14	190	140	8
	25	160	115	85	65	58	16-2	4	4-14	205	160	12
	32	180	135	100	78	66	18-2	4	4-18	270	180	15
	40	200	145	110	85	76	18-3	4	4-18	310	200	31
	50	250	160	125	100	88	20-3	4	4-18	371	280	34
	65	280	180	145	120	110	22-3	4	8-18	391	280	39
	80	310	195	160	135	121	24-3	4	8-18	455	320	52
	100	350	230	190	160	150	28-3	4.5	8-23	551	360	80
	125	400	270	220	188	176	30-3	4.5	8-25	628	400	127
	150	450	300	250	218	204	38-3	4.5	8-25	708	400	154
	200	550	375	320	282	260	42-3	4.5	12-30	885	450	263
	250	650	445	385	345	313	46-4	4.5	12-34	906	560	368
	300	750	510	450	408	364	52-4	4.5	16-34	1203	640	547
350	850	570	510	465	422	58-4	5	16-34	1341	640	679	
400	950	655	585	535	474	18-2	5	16-41	1492	720	953	
6.4	15	170	105	75	55	41	20-2	4	4-14	140	100	7
	20	190	125	90	68	51	22-2	4	4-18	140	100	9
	25	210	135	100	78	58	24-2	4	4-18	215	180	12
	32	230	150	110	82	66	24-2	4	4-23	270	180	16
	40	240	165	125	95	76	24-3	4	4-23	345	200	32
	50	250	175	135	105	88	26-3	4	4-23	470	200	39
	65	280	200	160	130	110	28-3	4	8-23	520	250	43
	80	310	210	170	140	121	30-3	4.5	8-23	570	300	60
	100	350	250	200	168	150	32-3	4.5	8-25	700	300	89
	125	400	295	240	202	176	36-3	4.5	8-30	780	350	140
	150	450	340	280	240	204	38-3	4.5	8-34	850	350	207
	200	550	405	345	300	260	44-3	4.5	12-34	1035	400	325
	250	650	470	400	352	313	48-3	4.5	12-41	1050	560	467
	300	750	530	460	412	364	54-4	4.5	16-41	1470	640	590

概述

我公司生产的喷塑软密封闸阀具有重量轻、体积小、操作力矩小，即使管道轻度变形也不影响密封性能等特点，相比同类产品在水密性、耐用性、安全性、易检性等方面具有更加优越的性能，因此广泛应用于食品、饮料、医药、化工等纯净介质管理及工业环保水处理、造纸、高层建筑排水系统等作启闭或调节介质流量之用。

性能及特点

- 1、阀门内外表面均用无毒无味环氧树脂粉末静电喷涂，具有防锈、防蚀功能；与介质接触的其他零件均采用不锈钢或铜合金制造、防止了阀门老化后产生水锈，保障了介质质量。
- 2、阀门设有多种密封装置，整个闸板衬耐蚀橡胶，确保密封性能良好。
- 3、闸板密封面是压在阀体上进行止水的，因此关闭力和矩小，密封面不易受损，寿命长。

使用和维修

- 1、根据使用环境与场合情况，必须对阀门作定期保养和检查。
- 2、阀门手轮转动是否灵活，密封面有无损伤，一旦发现问题必须及时修复方可继续使用。
- 3、各部位螺钉、螺帽是否有异常，发现松动应及时拧紧。
- 4、定期检查闸板橡胶，O型密封圈等易损零件是否超期和磨损，发现失效应及时更换。

主要零件材料 Materials for main parts

零件名称 Main parts	阀体、阀盖、手轮 Body, Bonnet, handwheel	阀杆 Stem	密封垫/O型密封圈 sealing /O ring seal	阀杆螺母/锁块 Stem nut/closing piece	闸板 Wedge
Z41X-10/16 (S) Z45X-10/16	灰铸铁 Gray pig iron 球墨铸铁 Ductile iron	不锈钢 Stainless steel	丁腈橡胶 NBR	黄铜 Brass	灰铸铁 Gray pig iron 球铁外包橡胶 Ductile iron with rubber outside

主要技术参数 Main technical parameters

公称通径 Nominal size DN(mm)	40-600		
公称压力 Nominal pressure PN(MPa)	1.0	1.6	2.5
试验压力 Test pressure	强度试验 Strength test	1.5	2.4
	密封试验 Seal test	1.1	1.76
适用介质 Applicable fluid	水、海水、污水、油品、纸浆 Water, sea water, sewage, oil, pulp		
适用温度 Applicable temperature (°C)	-10-100 (°C)		

Summarize

Our soft seal gate valve with light weight, small volume, small operating torque, Even the slight deformation of the pipe does not affect the sealing performance, Compared with similar products in waterproof, durability, safety, easy to check and other aspects have more superior performance. Therefore, it is widely used in the pure media management of food, beverage, medicine, chemical industry and other industries, as well as the industrial environmental protection water treatment, paper making, high-rise building drainage system, etc.

Performance and features

1. The inner and outer surface of the valve is sprayed by non-toxic and tasteless epoxy resin powder, which has the functions of rust and corrosion prevention. Contact with other parts of the medium are made of stainless steel or copper alloy, prevent the valve aging after the generation of rust, to ensure the quality of the medium.
2. Valve with a variety of sealing devices, the entire gate lined with corrosion resistant rubber to ensure good sealing performance.
3. Wedge sealing surface is pressed on the valve body to stop water, so the closing force and moment is small, sealing surface is not easy to damage, long life.

Use and maintenance

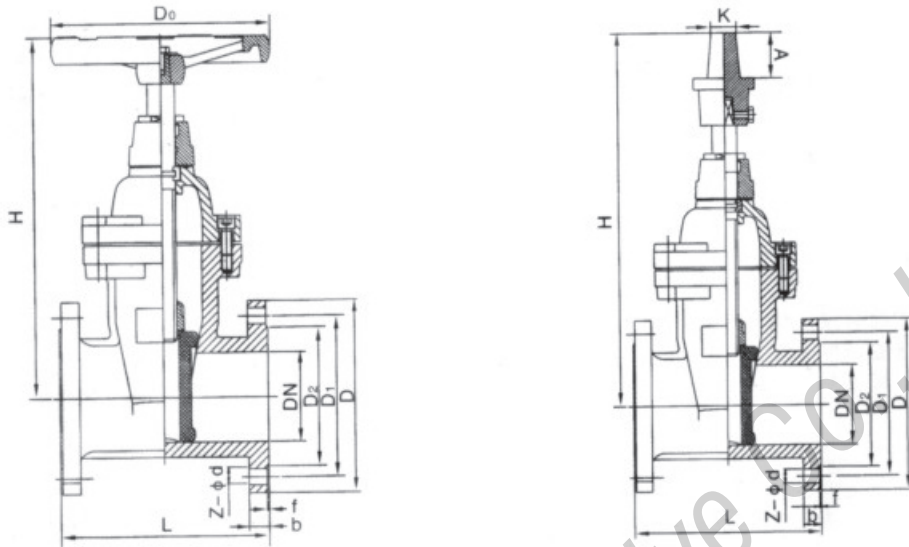
1. The valve must be regularly maintained and inspected according to the operating environment and situation.
2. Valve handwheel rotation is flexible, sealing surface is not damaged, a quantity of problems must be repaired in time before continue to use.
3. If there is any abnormality of screw and nut in one part, it should be tightened in time.
4. Regularly check whether the gate rubber, O - type seal ring and other vulnerable parts are overdue and wear, replace the lost effect as soon as possible.

软密封闸阀 弹性座封闸阀

Soft-sealing gate valve
Resilient seat seal gate valve



辅坤阀门
FLOW CONTROL VALVE



暗杆国标系列：外形尺寸和连接尺寸1.0MPa GB12232-89;GB/T13927-92

NON RISING series : Overall dimensions and joint dimensions 1.0MPa GB12232-89;GB/T13927-92

型号 Model	公称通径 Nominal diameter DN(mm)	尺寸 Size(mm)									
		L	D	D ₁	D ₂	b-f	Z-φd	地下闸阀 Underground gate valves		H	D ₀
								A	K		
Z45X/RVCX -10 SZ45X/RVHX -10	40	165	145	110	85	18-3	4-18	65	32	300	160
	50	180	160	125	100	20-3	4-18	65	32	345	180
	65	195	180	145	120	20-3	4-18	65	32	376	180
	80	210	195	160	135	22-3	4-18	65	32	417	200
	100	230	215	180	155	22-3	8-18	65	32	460	200
	125	255	245	210	185	24-3	8-18	65	32	525	240
	150	280	280	240	210	24-3	8-23	65	32	567	240
	200	330	335	295	265	26-3	8-23	65	32	705	320
	250	380	390	350	320	28-3	12-23	65	32	800	320
	300	420	440	400	368	28-4	12-23	65	32	886	400
	350	450	500	460	428	30-4	16-23	70	48	968	400
	400	480	565	515	482	32-4	16-25	70	48	1090	500
	450	510	615	565	532	32-4	20-25	70	48	1175	500
500	540	670	620	585	34-4	20-25	70	48	1414	720	
600	600	780	725	685	36-5	20-30	70	48	1593	720	

暗杆国标系列：外形尺寸和连接尺寸1.6MPa GB12232-89;GB/T13927-92

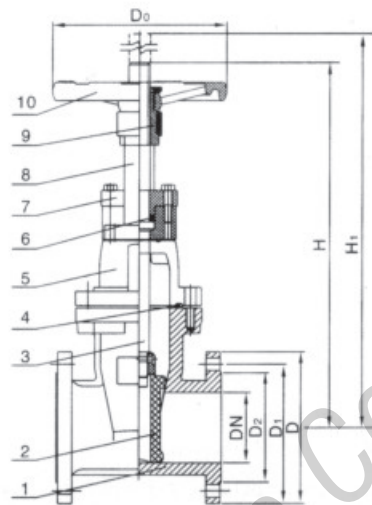
NON RISING series : Overall dimensions and joint dimensions 1.6MPa GB12232-89;GB/T13927-92

型号 Model	公称通径 Nominal diameter DN(mm)	尺寸 Size(mm)									
		L	D	D ₁	D ₂	b-f	Z-φd	地下闸阀 Underground gate valves		H	D ₀
								A	K		
Z45X/RVCX -16 SZ45X/RVHX -16	40	165	145	110	85	18-3	4-18	65	32	300	160
	50	180	160	125	100	20-3	4-18	65	32	345	180
	65	195	180	145	120	20-3	4-18	65	32	376	180
	80	210	195	160	135	22-3	8-18	65	32	417	200
	100	230	215	180	155	22-3	8-18	65	32	460	200
	125	255	245	210	185	24-3	8-18	65	32	525	240
	150	280	280	240	210	24-3	8-23	65	32	567	240
	200	330	335	295	265	26-3	12-23	65	32	705	320
	250	380	405	355	320	30-3	12-25	65	32	800	320
	300	420	460	410	375	30-4	12-25	65	32	886	400
	350	450	520	470	435	34-4	16-25	70	48	968	400
	400	480	580	525	485	36-4	16-30	70	48	1090	500
	450	510	640	585	545	40-4	20-30	70	48	1175	500
500	540	705	650	608	44-4	20-34	70	48	1414	720	
600	600	840	770	718	48-5	20-41	70	48	1593	720	

软密封闸阀 弹性座封闸阀

Soft-sealing gate valve
Resilient seat seal gate valve

- | | |
|--------|-------------------|
| 1 阀体 | 1 Body |
| 2 闸板 | 2 Wedge |
| 3 阀杆 | 3 Stem |
| 4 密封垫 | 4 Sealing |
| 5 阀盖 | 5 Bonnet |
| 6 填料 | 6 Stem seal |
| 7 填料压盖 | 7 Stem seal gland |
| 8 支架 | 8 York |
| 9 阀体螺线 | 9 Body spiral |
| 10 手轮 | 10 Handwheel |



明杆国标系列：外形尺寸和连接尺寸1.0MPa GB12232-89;GB/T13927-92

RISING series: Overall dimensions and joint dimensions 1.0MPa GB12232-89;GB/T13927-92

型号 Model	公称口径 Nominal diameter DN(mm)	尺寸 Size(mm)								
		L	D	D ₁	D ₂	b-f	Z-φd	H	H ₁	D ₀
Z41X/RRHX -10	40	165	145	110	85	18-3	4-18	257	299	160
	50	180	160	125	100	20-3	4-18	289	342	180
	65	195	180	145	120	20-3	4-18	334	402	180
	80	210	195	160	135	22-3	4-18	377	460	200
	100	230	215	180	155	22-3	8-18	433	536	200
	125	255	245	210	185	24-3	8-18	527	655	240
	150	280	280	240	210	24-3	8-23	596	479	240
	200	330	335	295	265	26-3	8-23	772	975	320
	250	380	390	350	320	28-3	12-23	904	1157	320
	300	420	440	400	368	28-4	12-23	1045	1348	400
	350	450	500	460	428	30-4	16-23	1177	1530	400
	400	480	565	515	482	32-4	16-25	1345	1748	500
	450	510	615	565	532	32-4	20-25	1497	1951	500
500	540	670	620	585	34-4	20-25	1648	2153	720	
600	600	780	725	685	36-5	20-30	1750	2354	720	

明杆国标系列：外形尺寸和连接尺寸1.6MPa GB12232-89;GB/T13927-92

RISING series: Overall dimensions and joint dimensions 1.6MPa GB12232-89;GB/T13927-92

型号 Model	公称口径 Nominal diameter DN(mm)	尺寸 Size(mm)								
		L	D	D ₁	D ₂	b-f	Z-φd	H	H ₁	D ₀
Z41X/RRHX -16	40	165	145	110	85	18-3	4-18	257	299	160
	50	180	160	125	100	20-3	4-18	289	342	180
	65	195	180	145	120	20-3	4-18	334	402	180
	80	210	195	160	135	22-3	8-18	377	460	200
	100	230	215	180	155	22-3	8-18	433	536	200
	125	255	245	210	185	24-3	8-18	527	655	240
	150	280	280	240	210	24-3	8-23	596	479	240
	200	330	335	295	265	26-3	12-23	772	975	320
	250	380	405	355	320	30-3	12-25	904	1157	320
	300	420	460	410	375	30-4	12-25	1045	1348	400
	350	450	520	470	435	34-4	16-25	1177	1530	400
	400	480	580	525	485	36-4	16-30	1345	1748	500
	450	510	640	585	545	40-4	20-30	1497	1951	500
500	540	705	650	608	44-4	20-34	1648	2153	720	
600	600	840	770	718	48-5	20-41	1750	2354	720	



辅坤阀门
FLOW CONTROL VALVE





铁岭辅坤阀门有限公司

地 址：辽宁省铁岭市铁岭经济开发区

网 址：www.fcval.com

电 话：+8618004108878

+8613804106884

销售热线：+86-024-72821717

技术支持：+86-024-72801717

邮 箱：tlfm@fcval.com

邮 编：112000